

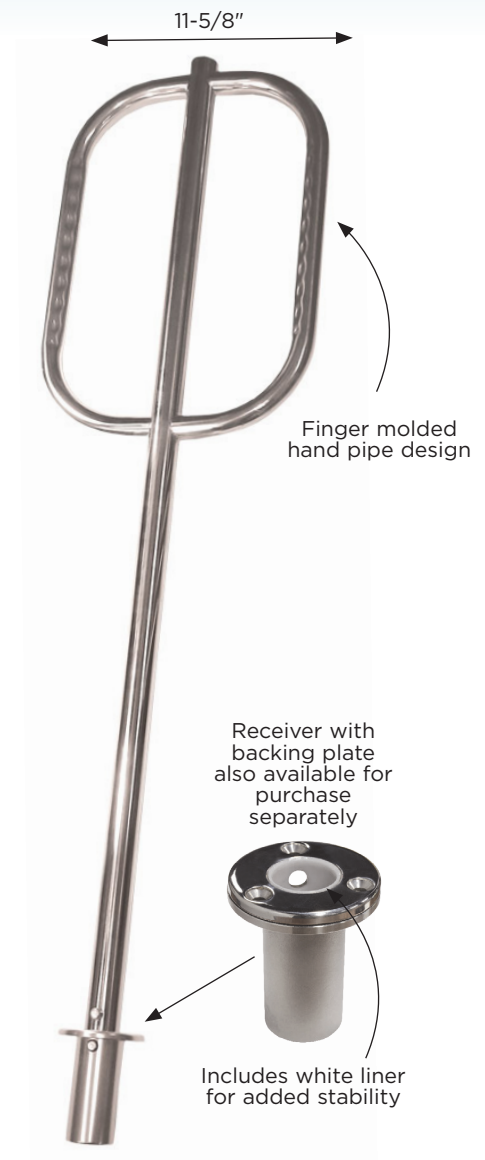
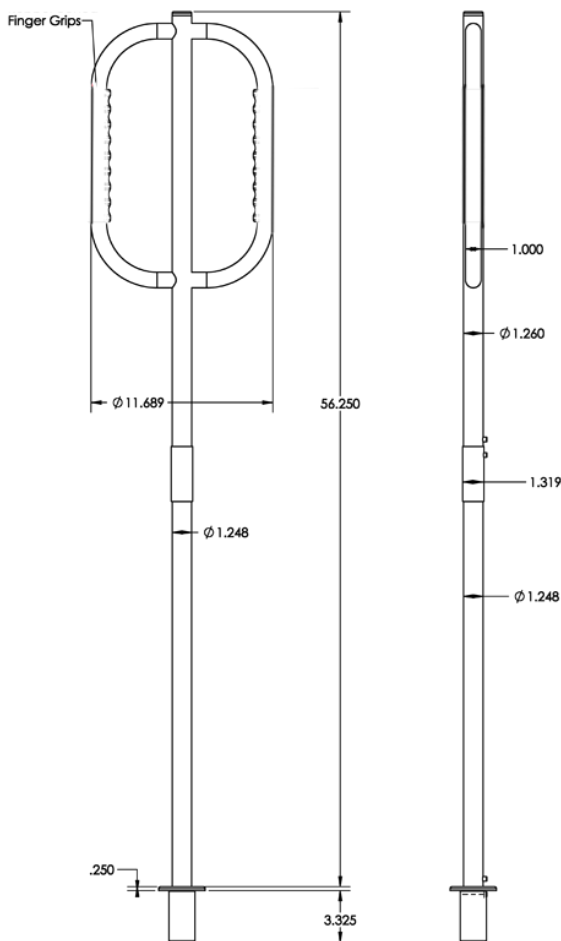


## COME ON BOARD HANDLE - FIXED BASE MOUNT

Boarding your boat is easier than ever before with our Come On Board Handle - Fixed Base Mount! At nearly five feet in length, this handle features a large grabbing surface with a finger-molded design for comfortable, strong support for getting on and off your boat. Once underway, the handle easily disassembles for quick and secure storage.

### FEATURES & BENEFITS

- Manufactured from stainless steel Type-304
- Unique finger-molded groove handle designed for comfortable, secure grip
- The stainless-steel receiver base is ideal for gunnel or transom platform mounting
- Attaches permanently to gunnel mount
- Multiple piece design for easy storage
- Packaged in mesh bag for easy drying if stored wet and to avoid scratching deck or storage surfaces on the boat



PART #	DESCRIPTION	LENGTH	WEIGHT	DIA.	UNIT	PACK	UPC
F16-0800-1	Come On Board Handle - Fixed Base Mount	56-1/4"	8.25 lbs.	1-1/2"	Each	4	630838084905
F16-0800C	Come On Board Handle Receiver W/ Backing Plate	-	1.2 lbs.	1-1/2"	Each	4	630838084981

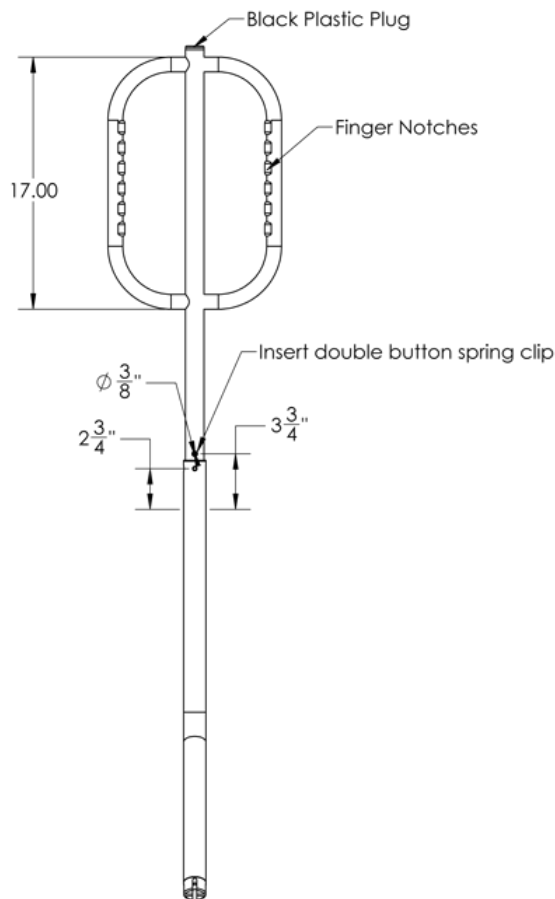
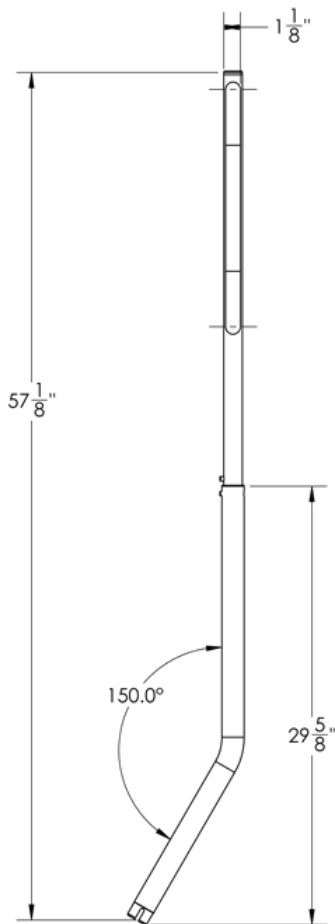


## COME ON BOARD HANDLE - ROD HOLDER MOUNT

Boarding your boat is easier than ever before with our Come On Board Handle – Rod Holder Mount! At nearly five feet in length, this handle features a large grabbing surface with a finger-molded design for comfortable, strong support for getting on and off your boat. Once underway, the handle easily disassembles for quick and secure storage.

### FEATURES & BENEFITS

- Manufactured from stainless steel Type-304
- Unique finger-molded groove handle design for comfort grip
- 1-1/2-inch tube diameter fits into standard rod holders 1-5/8-inch in diameter
- Solid gimbal mount design assures proper locking placement
- Multiple piece design for easy storage
- Packaged in mesh bag for easy drying if stored wet and to avoid scratching deck or storage surfaces on the boat



w tacomarine.com | ph 800.653.8568 | e info@tacomarine.com



PART #	DESCRIPTION	LENGTH	WEIGHT	DIA.	UNIT	PACK	UPC
F16-0810-1	Come On Board Handle - Rod Holder Mount	57-1/2"	7.5 lbs.	1-1/2"	Each	4	630838084899