



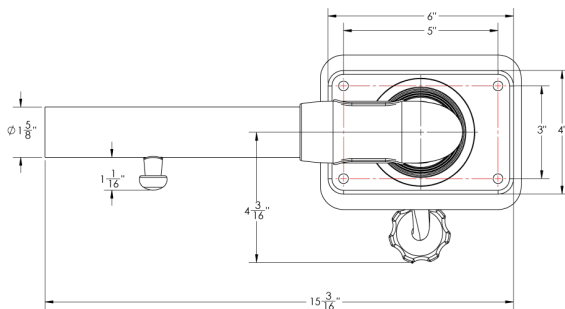
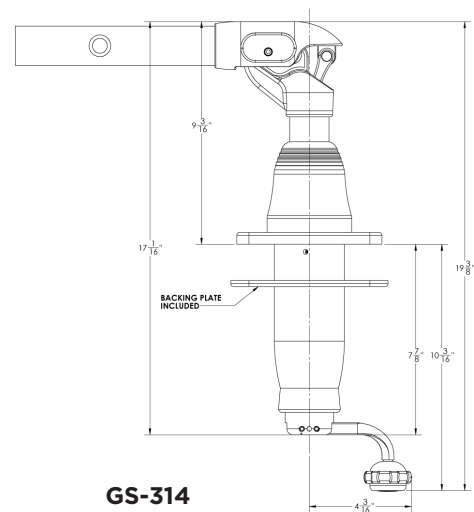
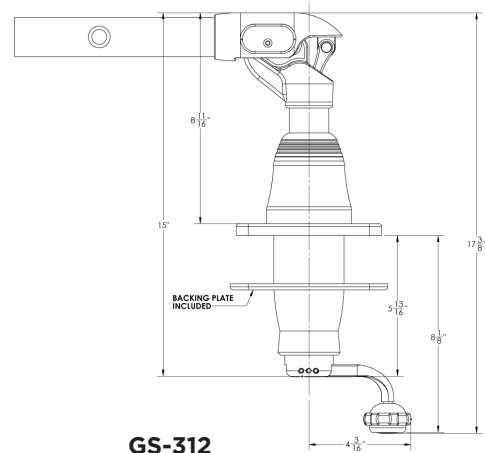
GS-312 & GS-314 CENTER RIGGER MOUNTS



The dangerous act of climbing on the back of your leaning post or on top of the T-top to raise your center rigger is over. The addition of a Grand Slam 312 or 314 Center Rigger Mount to your outrigger arsenal allows you to run the shotgun bait out of site to catch the one to make everyone come see what you've brought to the dock. This heavy-duty mount is not only designed to raise and lower the mount from under the T-top, it is also constructed to handle our 16' carbon fiber center rigger pole. For boats with thicker T-tops, the GS-314 is built with additional length for tops up to 4" thick.

FEATURES & BENEFITS

- Sleek appearance
- Elevation Crank Handle provide lift from under the T-top
- Cast stainless-steel and machined aluminum construction
- Eliminates accessing the center rigger from your leaning post
- Pairs with TACO standard 1-1/2" Aluminum or Carbon Fiber Tele-Outriggers up to 16' long
- Built to handle 16-foot carbon fiber center rigger pole
- The GS-314 is built with additional length for boats with T-tops up to 4" thick



PART NUMBER	DESCRIPTION	WEIGHT	UNIT	STD. PK.	UPC
GS-312	Grand Slam 312 Center Rigger Mount	10 lbs. Each	Each	2	630888088847
GS-314	Grand Slam 314 Center Rigger Mount	12.25 lbs. Each	Each	2	630891088872