

Pedestal Compatible Seats

Mounting Seat to Base

All TEMPRESS seats can be mounted to a 5" x 5" or 5 1/4" x 5 1/4" seat mounting system. Seats can be mounted to (A) pedestal base, (B) swivel base, (C) fixed base or (D) slider mount.

ALL TEMPRESS boat seats include bolt packs with 180 degrees of Loctite™ applied which reduces the chance of bolts becoming loose over time. Bolt packs:

ProBax High-Back, Navistyle High-Back and Low-Back, All-Weather High-Back:
 (2) 1/4" - 20 x 3/4" and (2) 1/4" - 20 x 1"

All-Weather Low-Back: (2) 1/4" - 20 x 3/4" and (2) 3/4" x 1 1/4"

ProBax Captain, Elite and Fisherman: (8) 1/4" - 20 x 5/8"

Casting Seats: (4) 1/4" - 20 x 5/8"

Mounting Hole Dimensions

All-Weather High-Back and Low-Back 5" x 5"

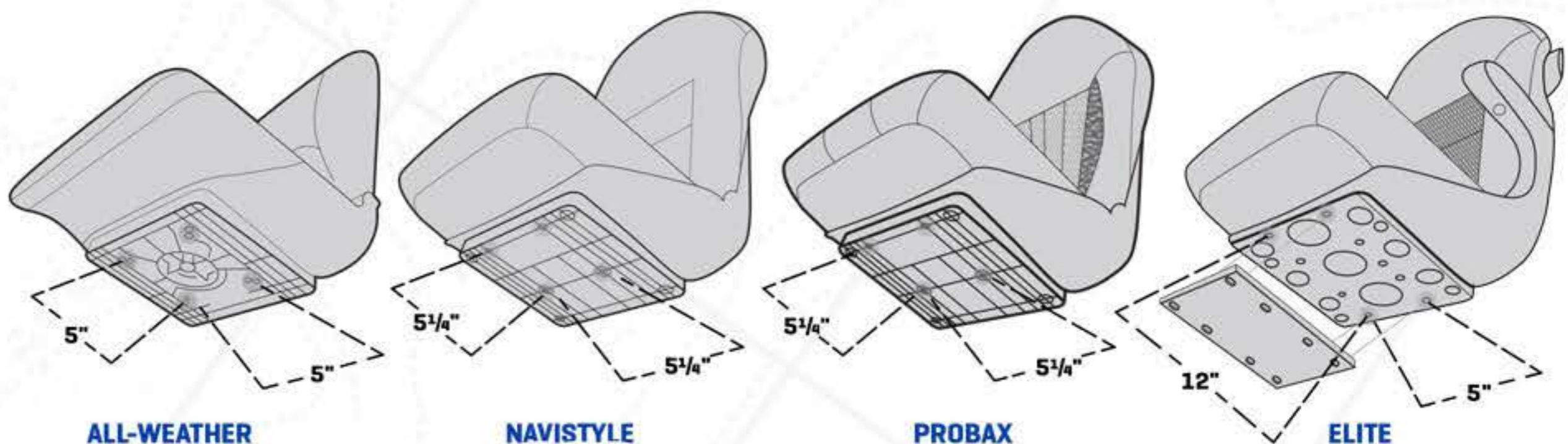
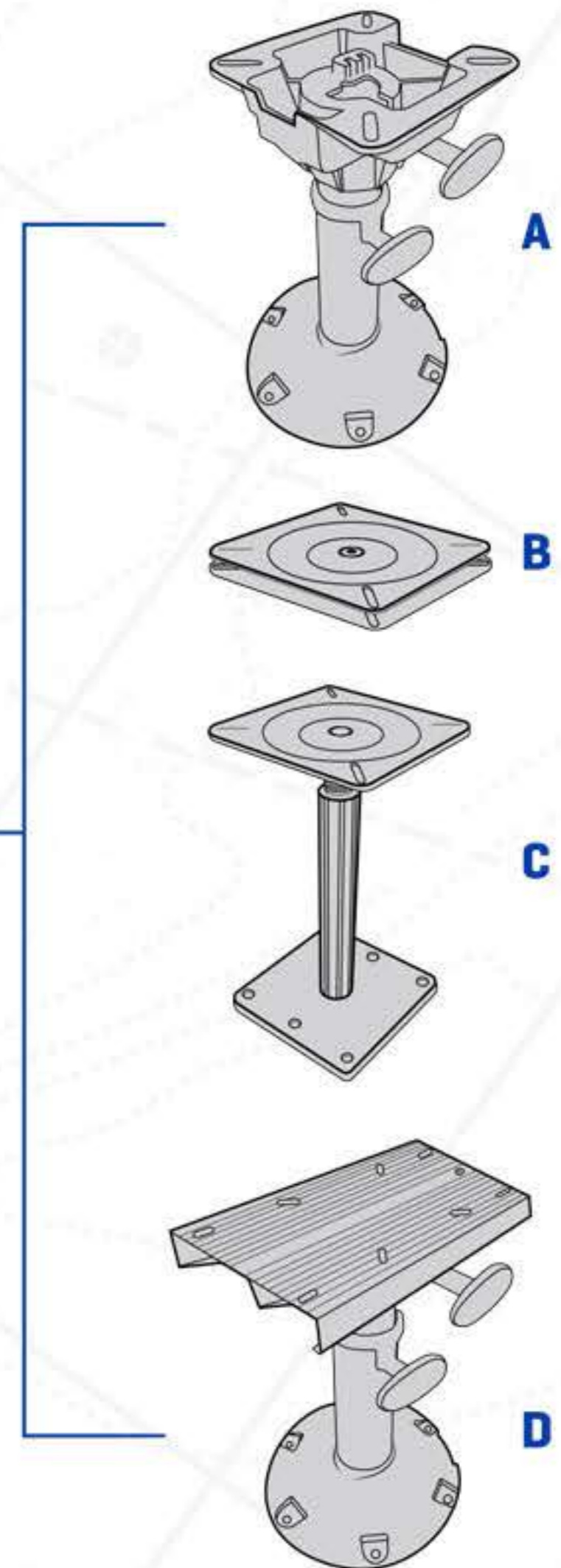
ProBax High-Back, Navistyle High-Back and Low-Back 5 1/4" x 5 1/4"

ProBax Captain, Elite High-Back and Low-Back, Fisherman* 5" x 12"

Casting Seats 5 1/4" x 5 1/4"

*These seats can be mounted on standard size pedestal (5" x 5") if installed with TEMPRESS Reinforcement Plate

UNIVERSAL MOUNTING PATTERN



Elite shown with mounting plate